



# FDH70 Electromagnetic Door Holder Installation Instructions

## Input:

Dual Voltage, 12/24VDC (Factory default is 12VDC)

## Current:

12VDC/100mA

24VDC/50mA.

**Function:** The FSH FDH70 is a Wall Mount Door Holder.

**Holding Force:** Tested up to 75kg

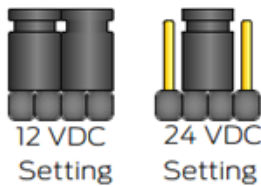
## Dimensions:

Magnet: 90(H) x 69.5(W) x 40(D) mm

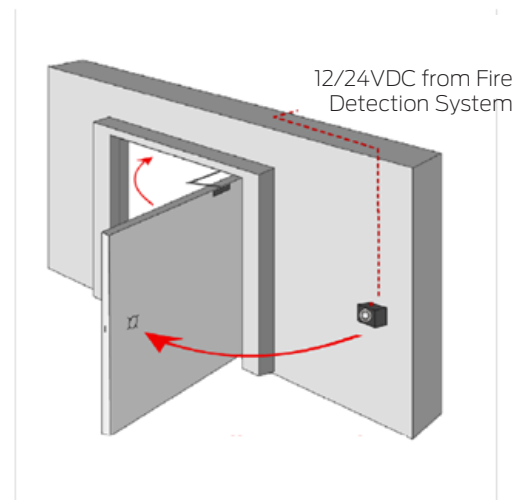
Armature: 55.5mm (Ø)

## Wiring Instructions

1. Set the jumper position to the correct power input before switching on the power.
2. Ensure the power supply input wiring polarity is correct.
3. White wire is Negative (-) and Black wire is Positive (+).



## Dimensions (mm) and Typical Installation



PDF50021



1800 098 094  
info.au@allegion.com  
fshlocking.com.au

©Allegion 2023