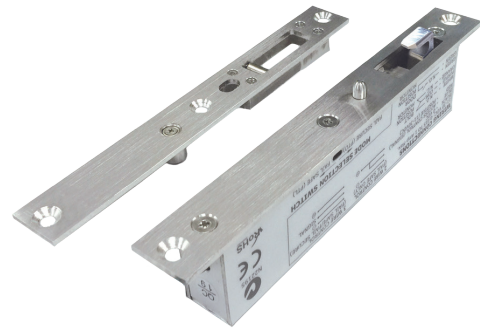




# HL1260

## High Security Motorised Hook Lock



The patented HL1260 is a high torque motor driven hook lock for a sliding door. It can be installed vertically in the door frame (lock style) with the strike plate mounted on the edge of the door.

Alternatively there is a surface mount box for the strike plate and/or lock for a sliding door.

The HL1260 consumes an in-rush current of 290mA@12VDC only during locking and unlocking action (Active-Mode, then in the locked or unlocked state (Sleep-Mode), it consumes current less than 15mA@12VDC.

The HL1260 hook lock should not be exposed to wind and weather as it has no IP rating.

We recommend to operate the product in 3-Wire-Mode (see installation manual).

## Features

- Motorised locking device
- Durability tested to 400,000 cycles
- Multi voltage from 11 to 30VDC
- Sleep-Mode Current less than 15mA@12VDC
- Fully monitored including reed switch for door position
- Up to 650kg Holding Strength
- 5 year warranty
- Up to 4-hour fire rated in accordance AS1905.1:2015
- Durability Australian Lock Standard (AS4145.2 : 1993)
- CE/UL

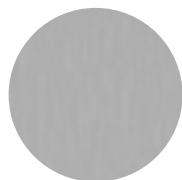


Warranties	
Mechanical	5 years
Electronic	5 years

# Technical specifications

Part Number	HL1260
Certifications / Approvals	CE/
Function	Mortice Mount, Power To Lock (PTL) / Power To Open (PTO) field interchangeable
Holding Strength	Up to 650kg
Voltage / Current	Multi Voltage 11-30VDC Active Mode: Locking/unlocking cycle current is 0.29A to 0.85A depending on the side load. Sleep-Mode: After locking/unlocking the current drops down to ~0.015A (15mA)
Monitoring	Lock Status Sensor of the internal locking mechanism Door Status Sensor Built-in reed switch, monitoring the door position
Environmental	Operational temperature range -20° to +60°C
Maximum Door Gap	2mm
Optional Accessory: HL1260-SMK	Surface mount kit for motorised hook lock HL1260 or strike plate (one kit required per item)
Finish	Satin Stainless Steel (SSS)

## Finish



**SSS**

Satin Stainless  
Steel

## Testing and Compliance

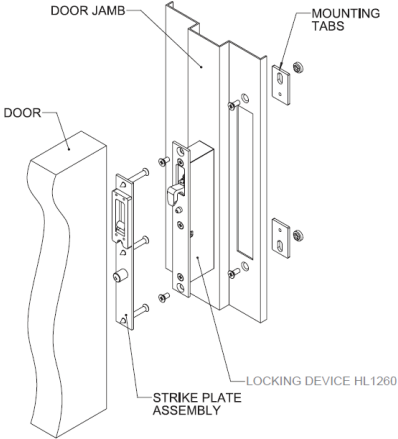


**Durability:**

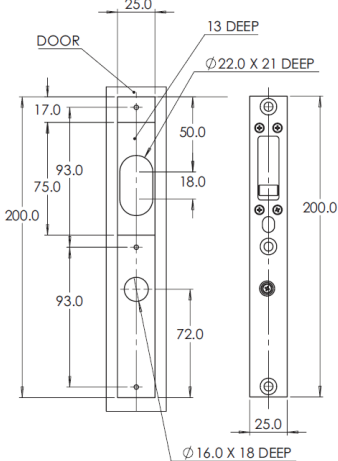
Conforms to S3\* (Security) and D3 (Durability) Australian Lock Standard (AS4145.2 : 1993)

# HL1260 product dimensions and installation

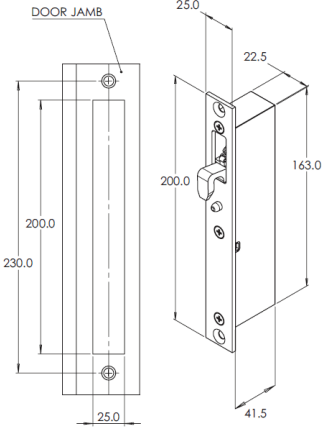
HL1260 Hook Lock Mortise Mount



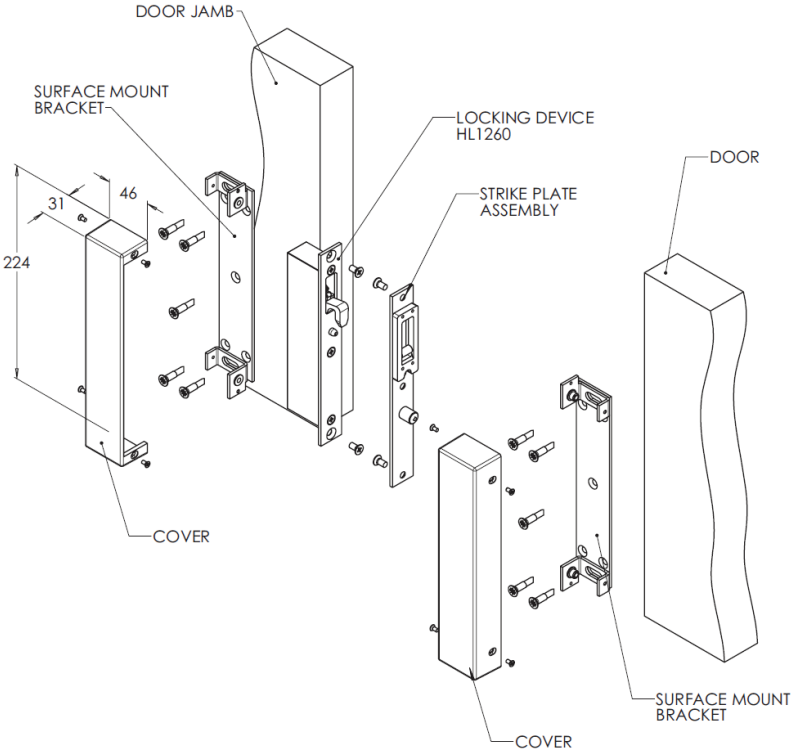
Strike Plate HL1260



Locking Device HL1260



HL1260-SMK Surface Mount Box



© Allegion 2022. All rights reserved. Material and design specifications subject to change without notice. Product colour reproduction is as near to actual product colour as production methods allow. Warning: Products in this brochure are the subject of registered designs and patents. This brochure relates to Australian and New Zealand products only and some product, design or specifications may differ in other countries.