

# FCL0001 Cabinet Lock

## Installation Instructions

The cabinet lock is designed to fit into cabinets and lockers with swing or sliding doors. The lock is interchangeable between the **POWER TO LOCK** (see FIG 1) and **POWER TO OPEN** (see FIG 2), two kinds of operation modes.

### Striker installation:

**SIDE ENTRY OF STRIKER** (see FIG 3)

Use the 10mm distance indicated in Figure 4 to set the distance from the interior side of the door to the first screw hole of the lock.

**FRONT ENTRY OF STRIKER** (See FIG 3)

Use the 37mm distance indicated in Figure 4 to set the distance from the backside of the lock to the mounting face of the striker.

### Power input 12 VDC or 24 VDC supply:

**Note: There is no polarity on power input.**

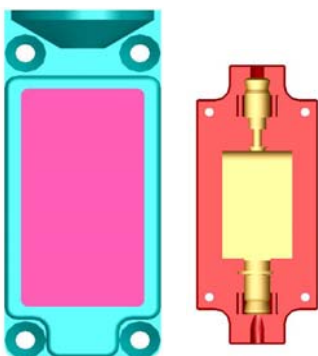
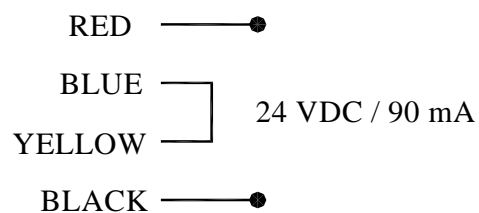
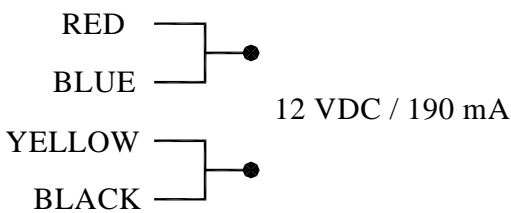


Figure 1: PTL

### Interchange between PTL and PTO:

- 1 Remove four screws from bottom
- 2 Remove the bottom case
- 3 Replace the wire in opposite side
- 4 Turn the bottom case 180° horizontally
- 5 Replace the bottom case
- 6 Replace the four screws.

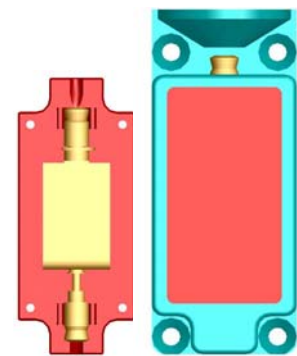


Figure 2: PTO

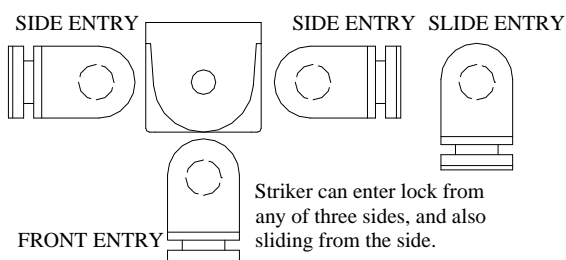


Figure 3

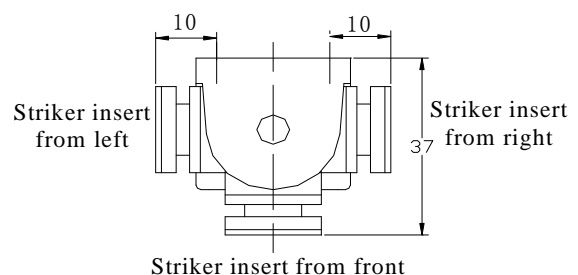
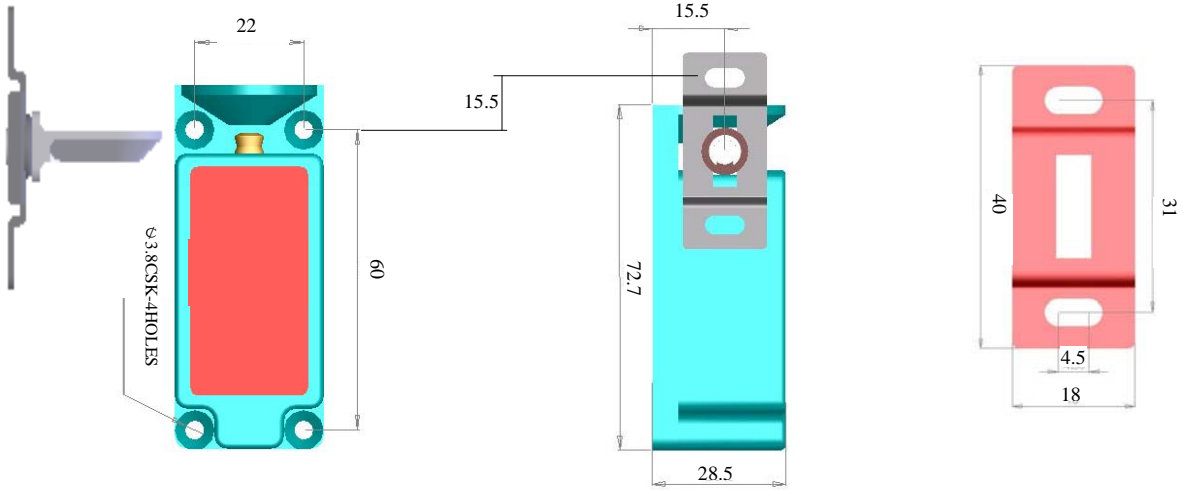
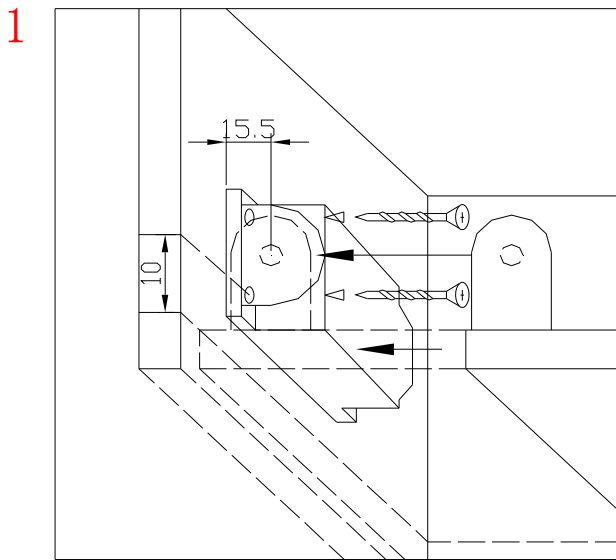


Figure 4

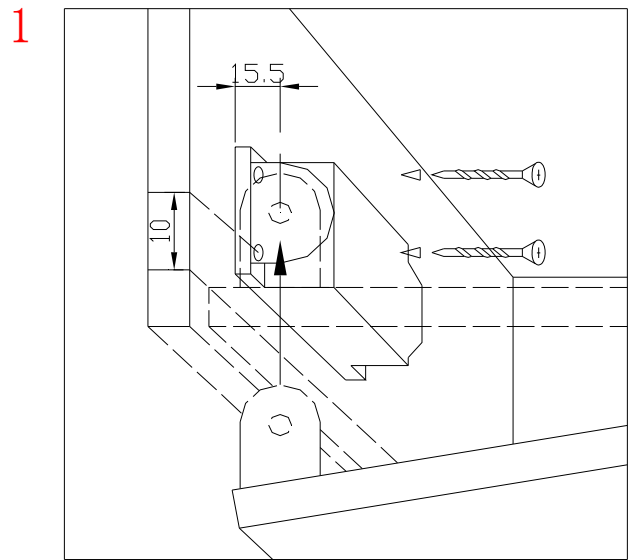


**SLIDING DOORS**

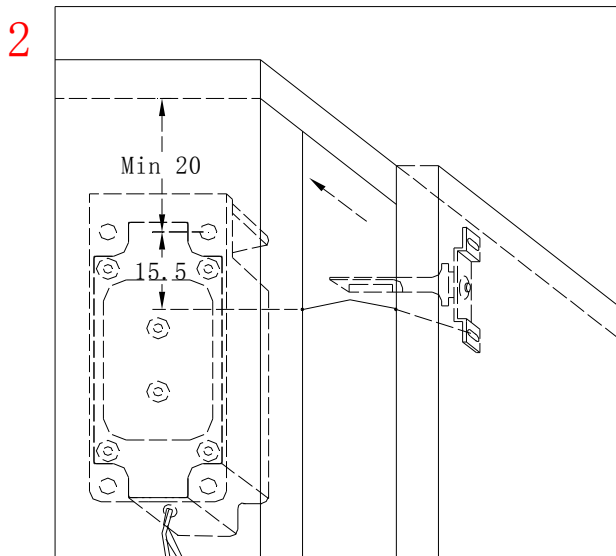


**FIT DOOR LOCK FIRST**

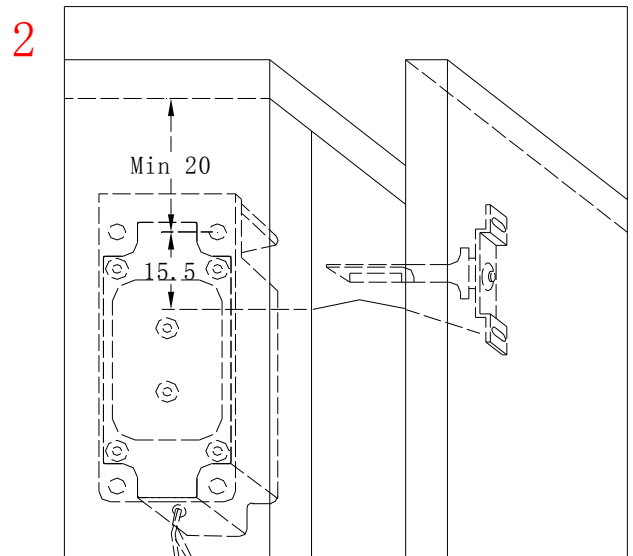
**SWING DOORS**



**FIT DOOR LOCK FIRST**



**FIT STRIKER SECOND**



**FIT STRIKER SECOND**