

FCL0002 Cabinet Lock

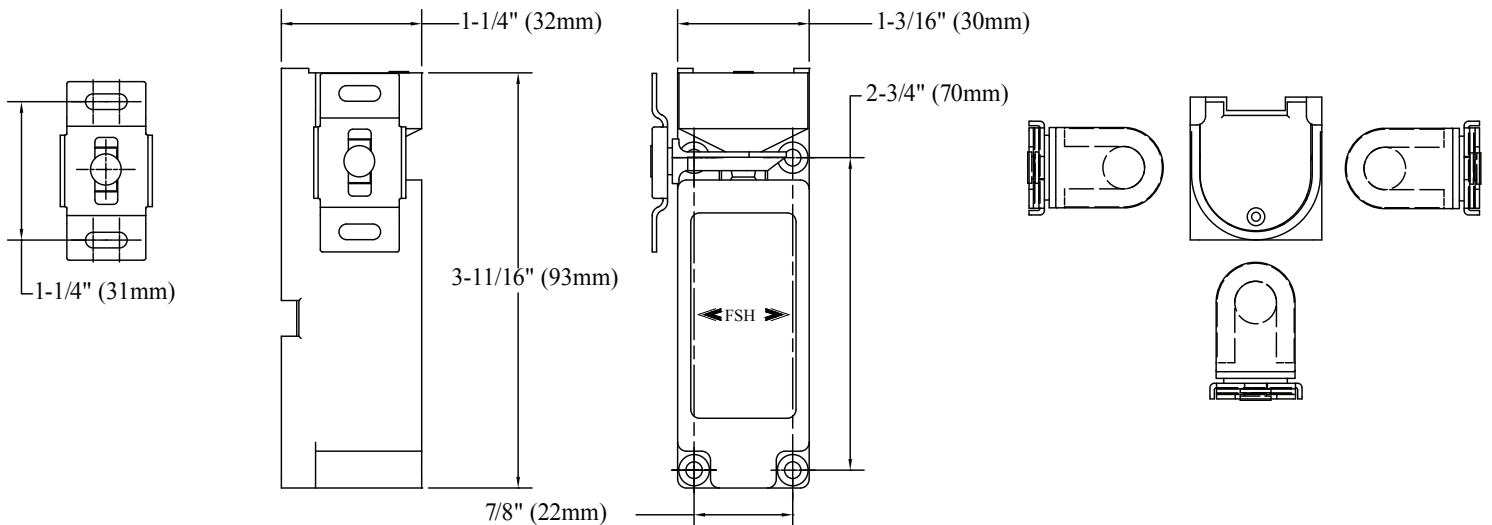
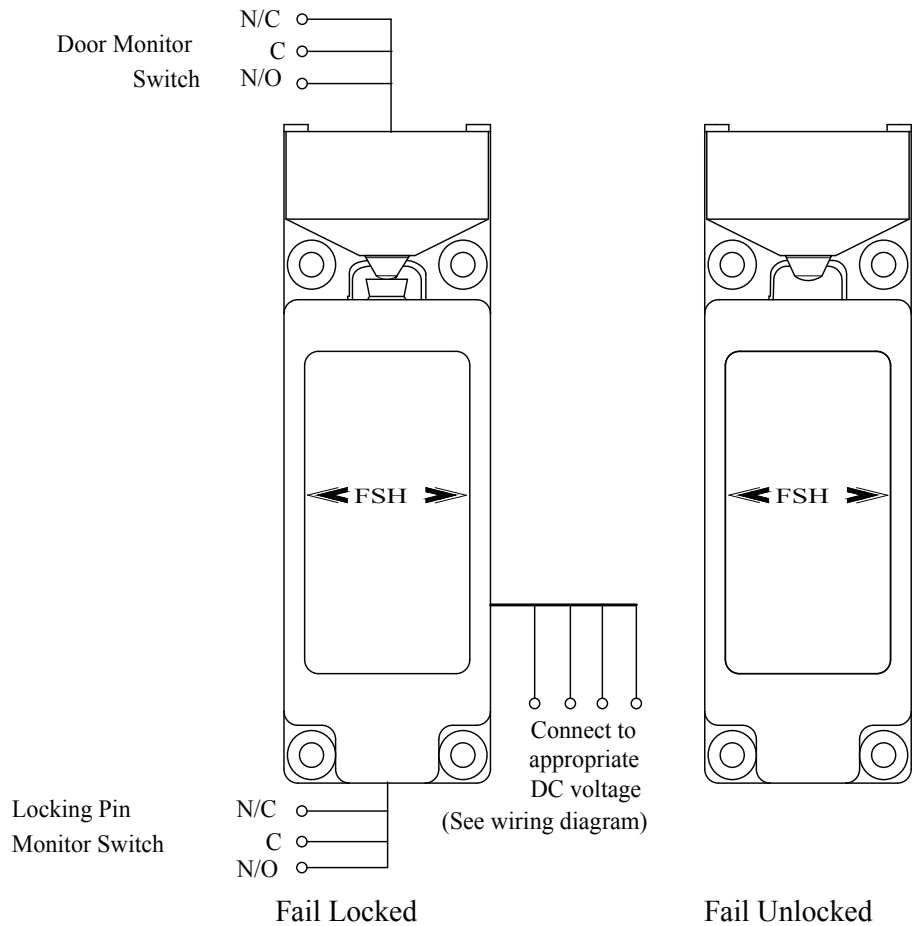
Installation Instructions

Instructions For Lock Mode Change

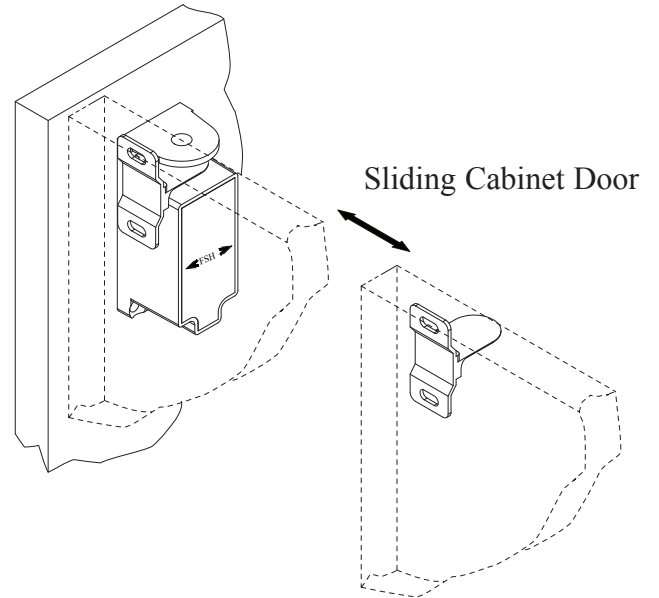
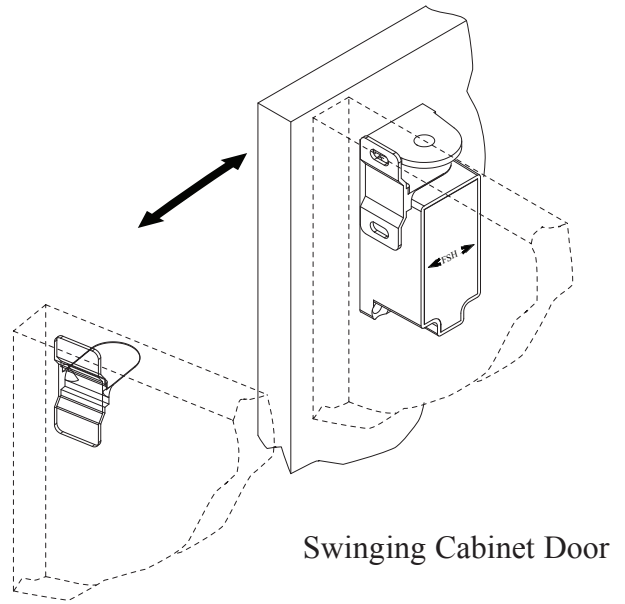
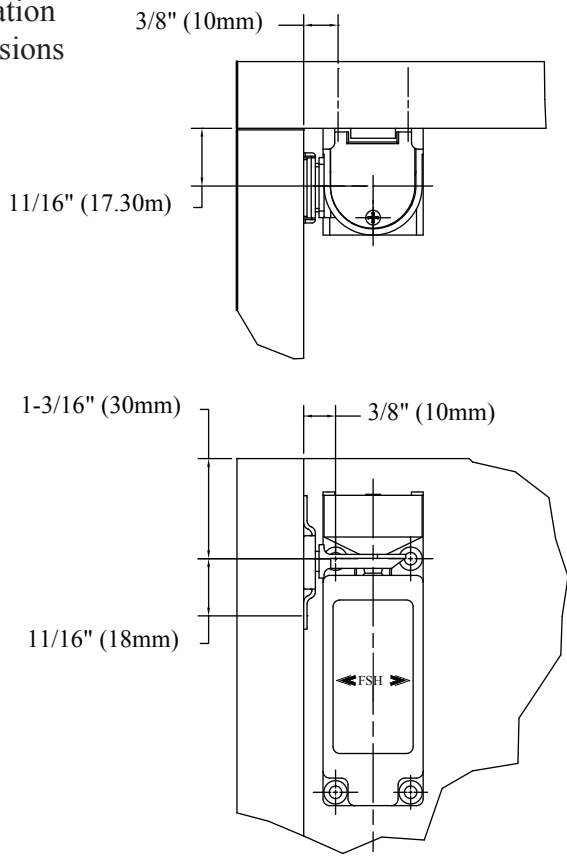
1. Remove the 2 screws on the bottom.
2. Remove base plate and solenoid.
3. Turn assembly 180° and install into housing.

WARNING: Care should be taken to prevent damage to switch lever.

4. Insert the two screws.



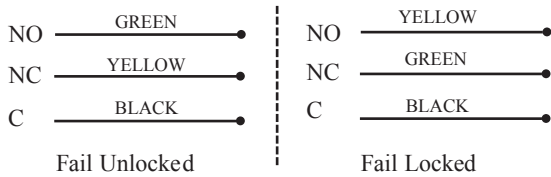
Installation Dimensions



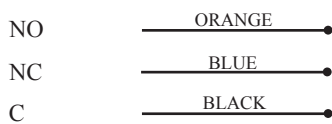
Parts Checklist

QTY	Description
4	Flat Head Wood Screws
2	Pan Head Wood Screws

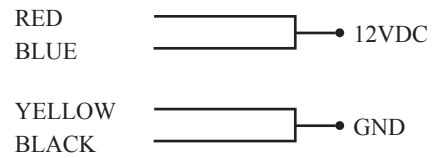
1. Locking Pin Monitor Switch Wiring Diagram
125VAC; 1A / 30VDC; 0.5A



2. Door Monitor Switch Wiring Diagram
125VAC; 3A / 30VDC; 2A



3. Cabinet Lock Dual Voltage Wiring Diagram
12VDC (200mA)



4. Cabinet Lock Dual Voltage Wiring Diagram
24VDC (100mA)

