

**PRODUCT FCL0001 & FCL0002**  
ELECTRIC CABINET LOCK



FCL0001 & FCL0002

**PRODUCT DESCRIPTION**

The FCL0001 & FCL0002 are suitable for surface mount installation on all types of cabinets, or lockers. The cabinet locks are designed to fit into cabinets and lockers with hinged or sliding doors from either the front or side of the door. The lock function is interchangeable between Power To Lock and Power To Release. The devices are supplied in a dual voltage configuration, 12VDC or 24VDC.

The FCL0002 Cabinet Lock version comes with Lock Status Sensor (LSS), monitoring the locking pin and Door Status Sensor (DSS), monitoring if the door is open or close.

The locking pin is spring loaded and acts as latching mechanism in combination with the Lock Strike Plate.

**TECHNICAL DETAILS**

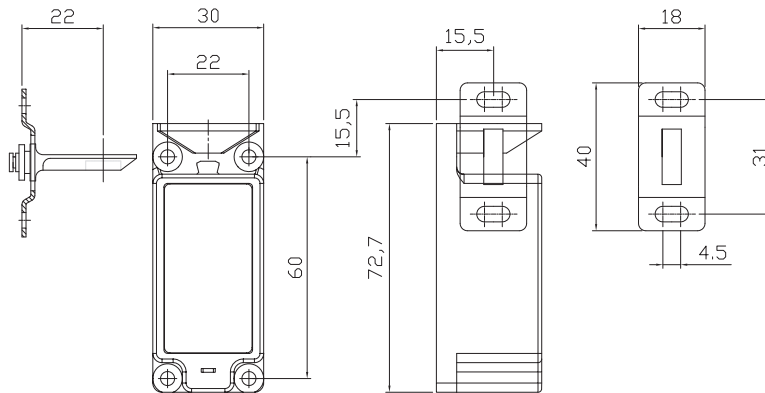
PART NO.	FCL0001	FCL0002
FUNCTION	Surface mount cabinet/Locker electric lock	Surface mount cabinet/Locker electric lock
HOLDING STRENGTH	Up to 150kg	Up to 150kg
VOLTAGE/CURRENT	12VDC/190mA 24VDC/90mA	12VDC/200mA 24VDC/100mA
MONITORING	N/A	Lock Status, LSS, Door Status (DSS)
SIZE	L= 72.7 x W= 28.8 x D= 28.5mm	L= 93 x W= 30x D= 32mm

**PRODUCT FEATURES**

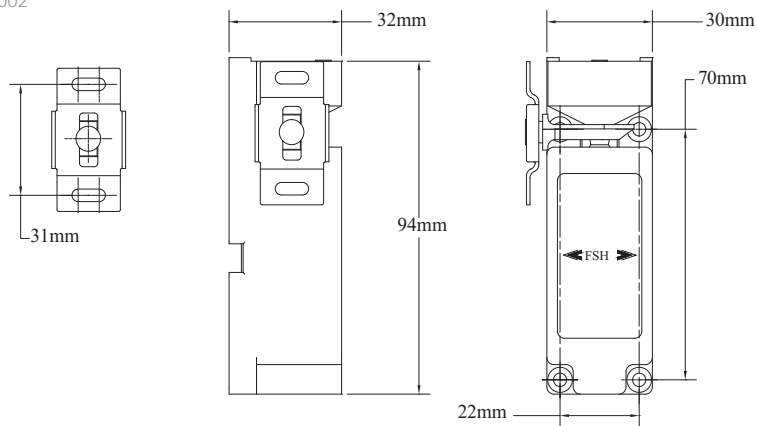
- Small size
- Power To Lock/Power To Release changeover
- Full monitoring DSS/LSS (FCL0002)
- 12 or 24VDC
- Up to 150kg holding force
- 5 year warranty

## PRODUCT DIMENSIONS AND INSTALLATION

FCL0001



FCL0002



## ORDER DETAILS

PART NO.	PRODUCT DESCRIPTION
FLC0001	Cabinet Lock
FLC0002	Cabinet Lock monitored
FCL0001-AP	Armature Plate for FCL0001 and FLC0002